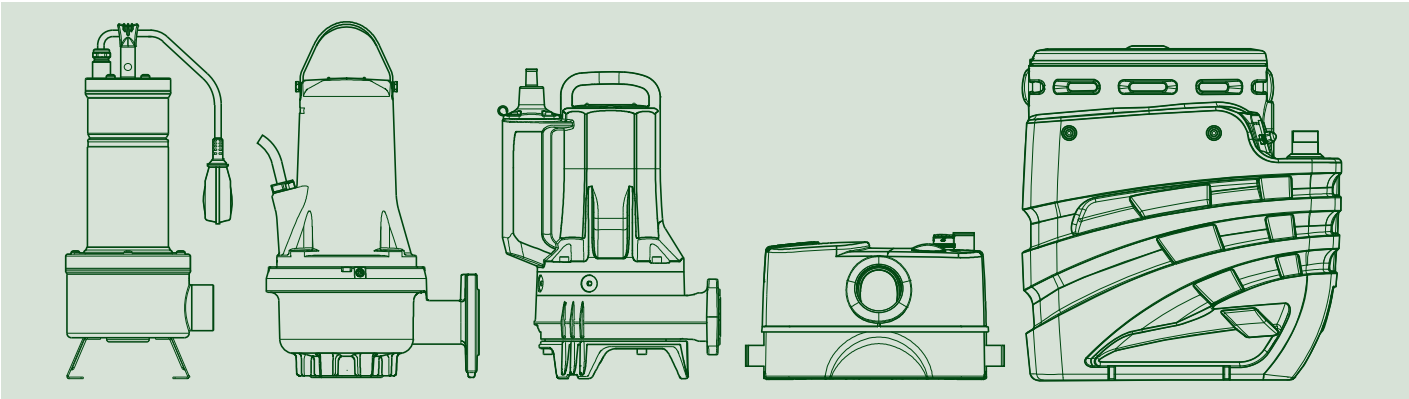


# SUBMERSIBLE PUMPS



**TECHNICAL  
CATALOGUE**



FEKA 600 M



FEKA 300 A

### TECHNICAL DATA

**Flow rate minimum and maximum:** from 1 m<sup>3</sup>/h to 16 m<sup>3</sup>/h

**Head up to:** 7,5 m

**Maximum immersion depth:** 7 m

**Type of pumped liquid:** wastewater and rainwater

**Free passage:** 25 mm

**Minimum intake level:** 38 mm

**Supported liquid temperature min. and max.:**

from +0°C a +35°C for domestic use

da +0°C a +50° C for other uses

**Class of protection:** IP 68

**Motor insulation class:** F

**Impeller construction material(s):** technopolymer

**Single phase power input:** 230 V 50 Hz

**Three phase power input:** 3x230 V 50 Hz / 3x400 V 50 Hz

**Possible type of installation:** fixed or portable in a vertical position

Feka 300 and Feka 600 are submersible pumps suitable for draining and lifting light or gray wastewater and rainwater in domestic and residential environments, suitable for fixed or mobile installations. The pumps have been redesigned on the occasion of the forty years of production, making them even more reliable, resistant and ergonomic to use. Available in the automatic versions with integrated float switch or in the manual versions without float switch. Possibility of dry running up to 1 minute.

### CONSTRUCTION FEATURES OF THE PUMP

Technopolymer pump body and suction grille. Triple ring seal in oil bath.

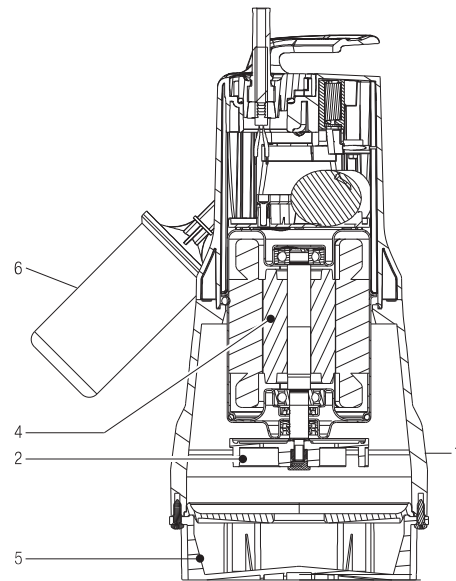
### CONSTRUCTION FEATURES OF THE MOTOR

Continuous duty asynchronous submersible motor. Stator inserted in a hermetic stainless steel casing and rotor mounted on oversized ball bearings. Thermal protection incorporated in all single-phase versions. Motor in AISI 304 stainless steel and shaft in AISI 431 steel for greater resistance to corrosive attacks.

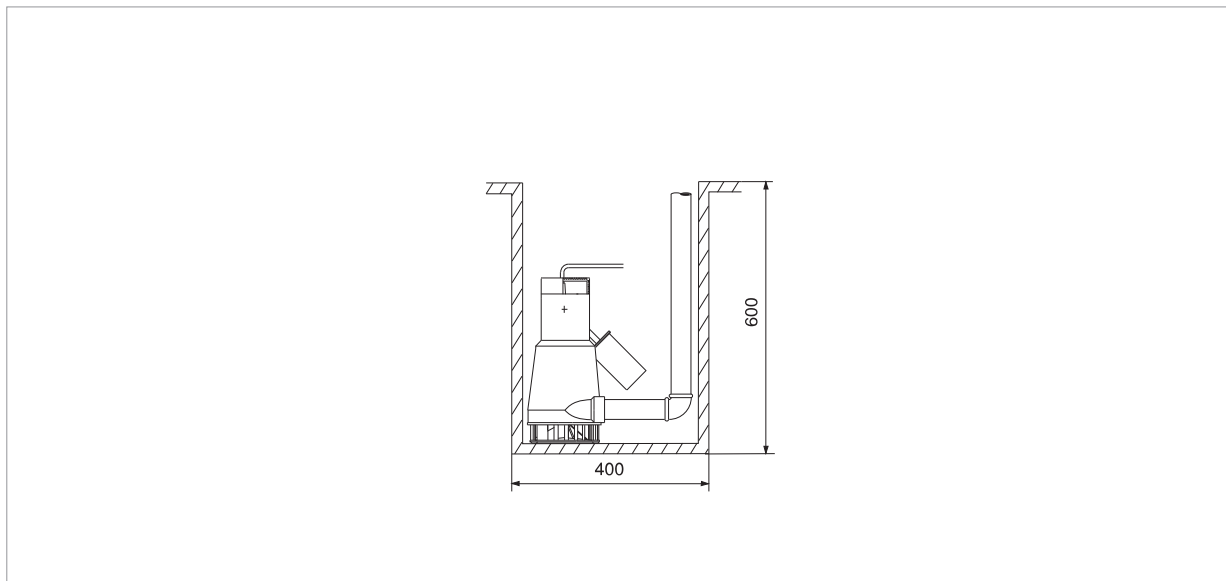
## MATERIALS

N°	PARTS *	MATERIALS
1	PUMP BODY	TECHNOPOLIMER
2	IMPELLER	TECHNOPOLIMER
3	OR RING	NBR
4	MOTOR	CASE AISI 304 STAINLESS STEEL X5 CrNi1810 - UNI 6900/71
	ROTOR SHAFT	AISI 431 STAINLESS STEEL
5	SUCTION GRID	TECHNOPOLIMER
6	FLOAT	TECHNOPOLIMER

\* In contact with the liquid



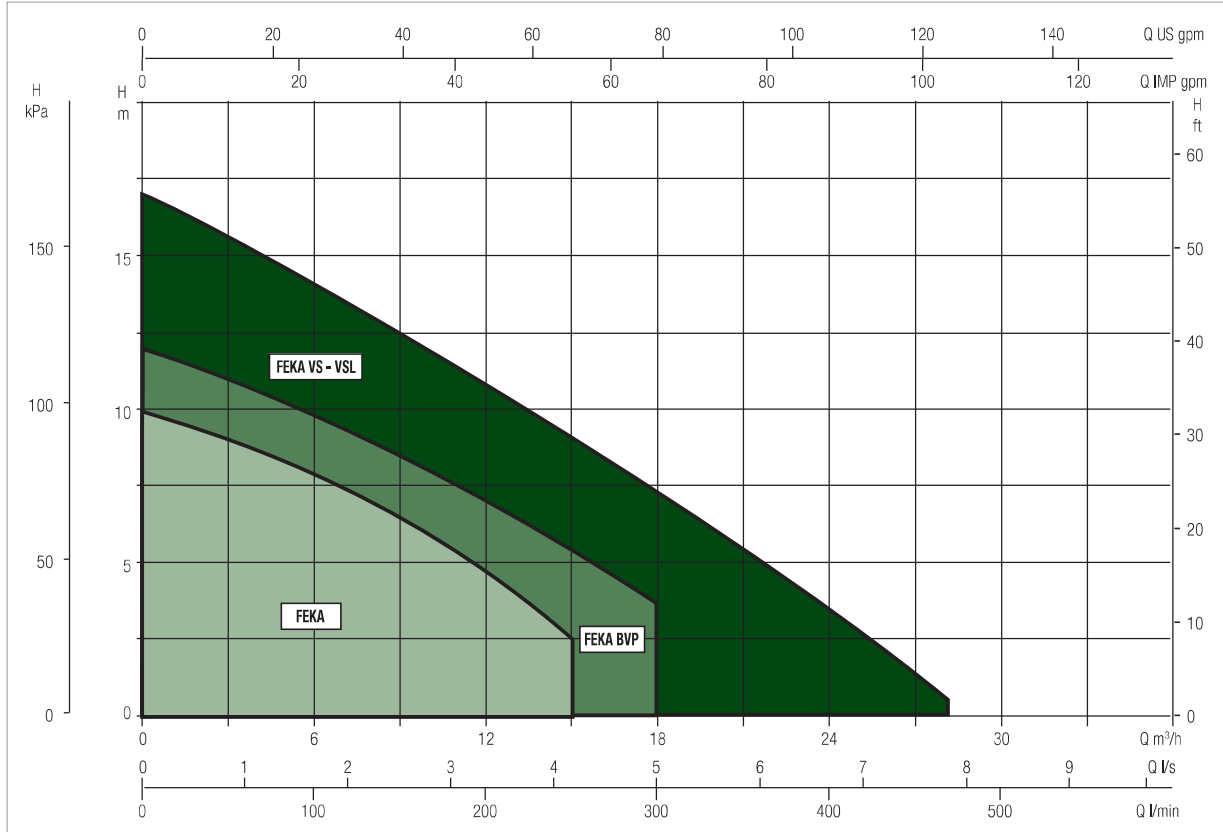
### MINIMUM WELL SIZE FOR AUTOMATIC OPERATION FIXED INSTALLATION:



### PERFORMANCE RANGE

The performance curves are based on kinematic viscosity values = 1 mm<sup>2</sup>/s and density equal to 1000 kg/m<sup>3</sup>. Curve tolerance according to ISO 9906.

### GRAPHIC SELECTION TABLE

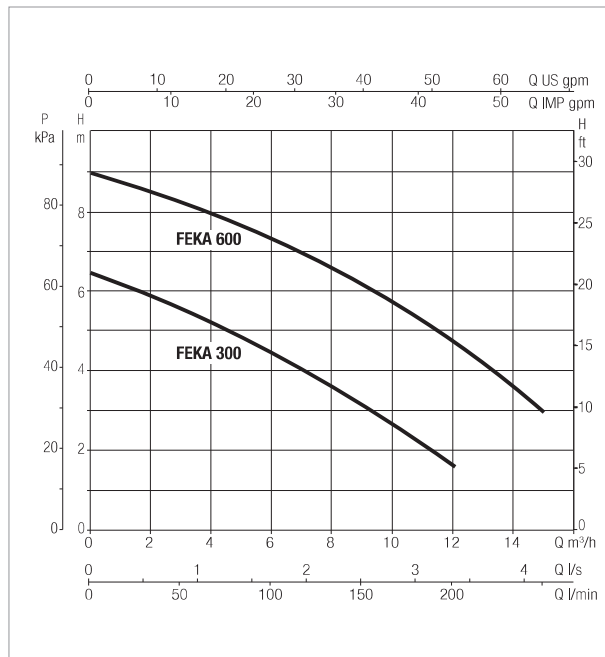
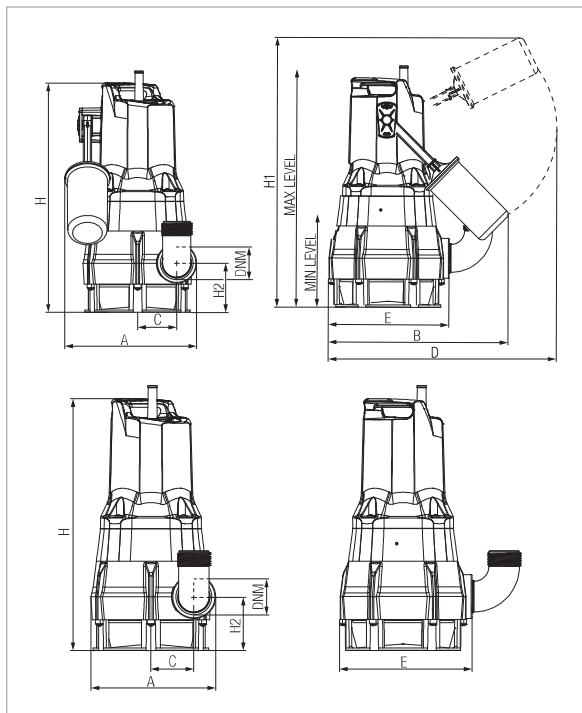


### SELECTION TABLE - FEKA 600

MODEL	Q=m <sup>3</sup> /h	0	3	6	9	12	15	18	24	30	36
	Q=l/min	0	50	100	150	200	250	300	400	500	600
<b>FEKA 600 M-T</b>	H (m)	7,45	6,45	5,7	4,95	4,1	2,8				

## FEKA 300-600 - SUBMERSIBLE PUMPS

Liquid temperature range: from 0 °C to +35 °C for domestic use



The performance curves are based on kinematic viscosity values = 1 mm<sup>2</sup>/s and density equal to 1000 kg/m<sup>3</sup>. Curve tolerance according to ISO 9906.

MODEL	Q= m <sup>3</sup> /h	0	3	6	9	12	15
	Q=l/min	0	50	100	150	200	250
FEKA 300 MA - MNA	H (m)	6,4	5,5	4,4	3,1	1,6	
FEKA 600 MA-MNA-TNA	H (m)	8,9	8,2	7,2	6,1	4,7	2,9

MODEL	ELECTRICAL DATA						
	POWER INPUT 50 Hz	P1 MAX kW	P2 NOMINAL		In A	CAPACITOR	
			kW	HP		µF	Vc
FEKA 300 MA - MNA	1X230V~	0,35	0,22	0,30	1,9	8	450
FEKA 600 MA-MNA	1X230V~	0,68	0,5	0,7	3,1	10	450
FEKA 600 TNA	3X400V~	0,68	0,5	0,7	1,8	-	-

A: Automatic with float - NA: Non-automatic, without float

MODEL	A	B	C	D	E	H	H1	H2	LEV. MIN.	LEV. MAX.	DNM GAS	PACKING DIMENSIONS			CABLE*	VOLUME (mc)	WEIGHT Kg
												L/A	L/B	H			
FEKA 300 MA	189	255	56	296	174	329	355	71	95	305	1" ¼	287	202	431	5m H05 10m H05	0,025	4,6
FEKA 300 MNA	163	-	56	-	174	329	-	71	-	-	1" ¼	287	202	431	10m H05	0,025	4,6
FEKA 600 MA	189	255	56	296	174	349	443	71	190	390	1" ¼	287	202	431	5m H05 10m H05	0,025	7
FEKA 600 MNA	163	-	56	-	174	349	-	71	-	-	1" ¼	287	202	431	10m H05	0,025	7
FEKA 600 TNA	163	-	56	-	174	349	-	71	-	-	1" ¼	287	202	431	10m H07	0,025	7

As per European standard EN 60335-2-41, for outdoor use power cable must be 10m long.

**DNA**  
**DNA**  
PUMPS SELECTOR

On-line product selection



**DAB PUMPS LTD.**  
6 Gilberd Court  
Newcomen Way  
Severalls Business Park  
Colchester  
Essex  
CO4 9WN - UK  
salesuk@dwtgroup.com  
Tel. +44 0333 777 5010



**DAB PUMPS IBERICA S.L.**  
Calle Verano 18-20-22  
28850 - Torrejón de Ardoz - Madrid  
Spain  
Info.spain@dwtgroup.com  
Tel. +34 91 6569545  
Fax: + 34 91 6569676



**DAB PUMPS SOUTH AFRICA (PTY) LTD**  
Twenty One Industrial Estate,  
16 Purlin Street, Unit B, Warehouse 4  
Olifantsfontein -1666 - South Africa  
info.sa@dwtgroup.com  
Tel. +27 12 361 3997



**DAB PUMPS BV**  
'tHofveld 6 C1  
1702 Groot Bijgaarden - Belgium  
info.belgium@dwtgroup.com  
Tel. +32 2 4668353



**DAB PUMPS HUNGARY KFT.**  
H-8800  
Nagykanizsa, Buda Ernő u.5  
Hungary  
Tel. +36 93501700



**DAB PUMPS (QINGDAO) CO. LTD.**  
No.40 Kaituo Road, Qingdao Economic & Technological  
Development Zone  
Qingdao City, Shandong Province - China  
PC: 266500  
sales.cn@dwtgroup.com  
Tel. +86 400 186 8280  
Fax +86 53286812210



**DAB PUMPS B.V.**  
Albert Einsteinweg, 4  
5151 DL Drunen - Nederland  
info.netherlands@dwtgroup.com  
Tel. +31 416 387280  
Fax +31 416 387299



**DAB PUMPS POLAND Sp. z o.o.**  
Ul. Janka Muzykanta 60  
02-188 Warszawa - Poland  
polska@dabpumps.com.pl



**DAB PUMPS DE MÉXICO, S.A. DE C.V.**  
Av Amsterdam 101 Local 4  
Col. Hipódromo Condesa,  
Del. Cuauhtémoc CP 06170  
Ciudad de México  
Tel. +52 55 6719 0493



**DAB PUMPS GMBH**  
Am Nordpark 3  
D - 41069 Mönchengladbach - Germany  
info.germany@dwtgroup.com  
Tel. +49 2161 47388-0  
Fax +49 2161 47388-36



**DAB PUMPS INC.**  
3226 Benchmark Drive  
Ladson, SC 29456 - USA  
info.usa@dwtgroup.com  
Tel. 1-843-797-5002  
Fax 1-843-797-3366



**DAB PUMPS OCEANIA PTY LTD**  
426 South Gippsland Hwy,  
Dandenong South VIC 3175 - Australia  
info.oceania@dwtgroup.com  
Tel. +61 1300 373 677



**PT DAB PUMPS INDONESIA**  
Satrio Tower Iantai 26  
unit C-D, Jl. Prof. Dr. Satrio Kav. C4,  
Kel. Kuningan Timur, Kec. Setiabudi, Kota Adm.  
Jakarta Selatan, Prov. DKI Jakarta. - Indonesia  
Tel. +62 2129222850