

**Receiver**

**From**

Company  
Reference  
Address  
Phone  
Fax  
E-mail

**Item no. Customer pos. no.:**

60184312

**Model:**

ESYBOX - KIWA

**Pump data**

Pressure rating : 0,8 MPa  
SETTABLE CONSTANT PRESSURE FROM 0,1 TO 0,6 MPa  
Min. fluid temperature : 0 °C  
Max. fluid temperature : 40 °C  
Max. Temperature operating : 50 °C

**Requested data**

Flow :  
Head :  
Fluid : Water  
Fluid Temperature : 20 °C  
Density : 998,3 kg/m³  
Kinematic viscosity : 1,005 mm²/s  
Dampspanning : 0,00234 MPa

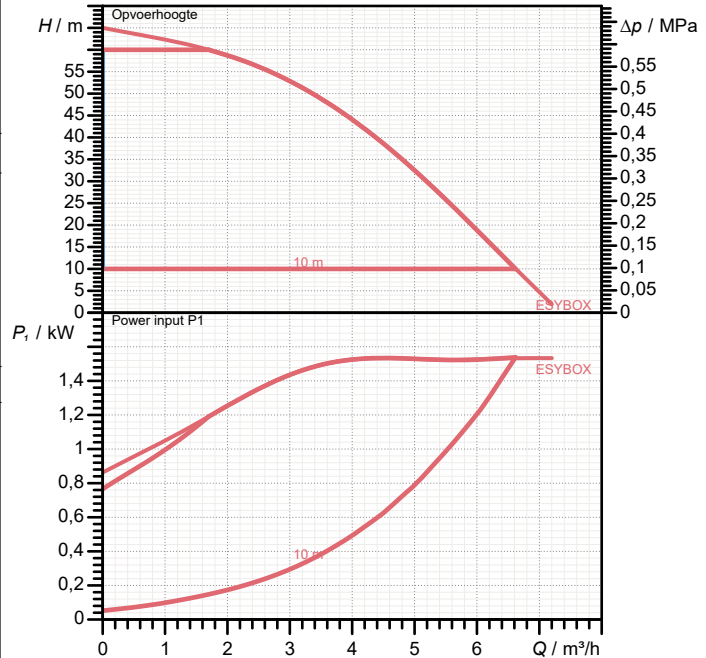
**Materials**

Motor flange Technopolymer  
Rotor shaft Stainless Steel AISI 303  
Motor liner Stainless Steel AISI 304  
O-Ring NBR  
Mechanical seal Impregnated carbon-resin/Silicon carbide/EPDM  
Plugs Technopolymer  
Suction case Technopolymer  
Insert Brass nickel coated  
Shutter Technopolymer  
Spring AISI 303  
Diffuser Technopolymer  
Diffuser body Technopolymer  
Impeller Technopolymer  
Wear ring Stainless Steel AISI 316  
Nut Stainless Steel AISI 316  
Diffuser plug Technopolymer  
Sintered plate Stainless Steel AISI 304  
Pump body Technopolymer  
Discharge section Technopolymer  
Flow switch body Technopolymer  
Discharge manifold Technopolymer  
Non-return valve Technopolymer/Rubber/Steel  
Tank Technopolymer/Rubber  
Pressure sensor body Technopolymer

**Motor data**

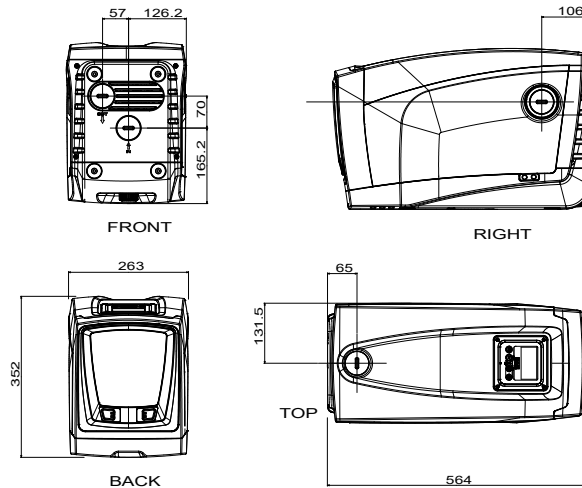
Power input P1 1,55 kW  
Rated speed: 3.000 1/min  
Rated voltage : 1~ 220-240 V 50 Hz  
Nominal current : 10 A  
Degree of protection : IP X4

**Curve tolerance according to ISO 9906**



**Hydraulic data (duty point)**

Flow :  
Head :



**Dimension mm**

--	--	--	--	--	--	--	--

**Gewicht:** 27 kg

**Pump connection**

Suction side 1" G / 0,8 MPa  
Discharge side 1" G / 0,8 MPa



# PERFORMANCE CURVES

2023-07-1€

Pagina 2 / 3

DAB PUMPS S.p.A.  
Via Marco Polo, 14 - 35035 Mestrino (PD), Italy  
Tel. +39 049 5125000 - Fax +39 049 5125950  
www.dabpumps.com

Receiver

From

Company  
Reference  
Address  
Phone  
Fax  
E-mail

## ESYBOX - KIWA

Curve tolerance according to ISO 9906



Suction side 1" G 0,8 MPa	Discharge side 1" G 0,8 MPa	Flow :	Head :	Rated speed: 3.000 1/min
MAIN_PROJECT_TITLE	BUSINESS_PROCESS_ID	OWNER_	ISSUE_DATE 2023-07-19	



# DIMENSIONAL DRAWING

DAB PUMPS S.p.A.  
Via Marco Polo, 14 - 35035 Mestrino (PD), Italy  
Tel. +39 049 5125000 - Fax +39 049 5125950  
www.dabpumps.com

2023-07-1€

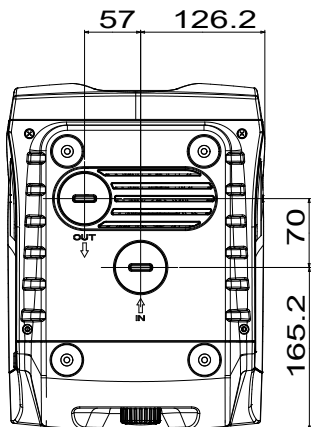
Pagina 3 / 3

Receiver

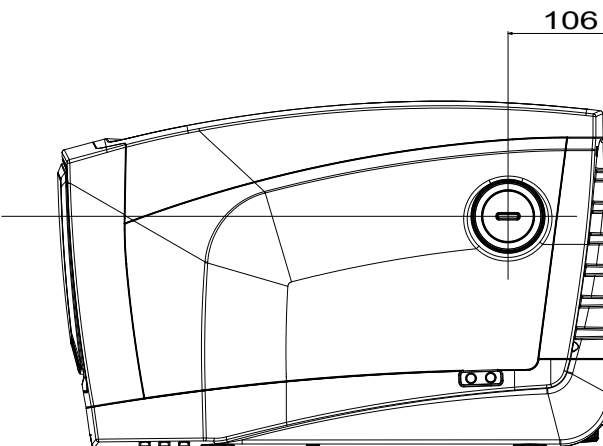
From

Company  
Reference  
Address  
Phone  
Fax  
E-mail

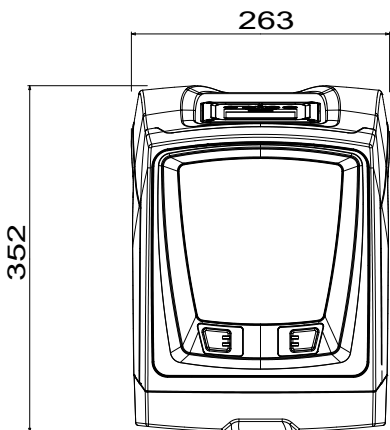
## ESYBOX - KIWA



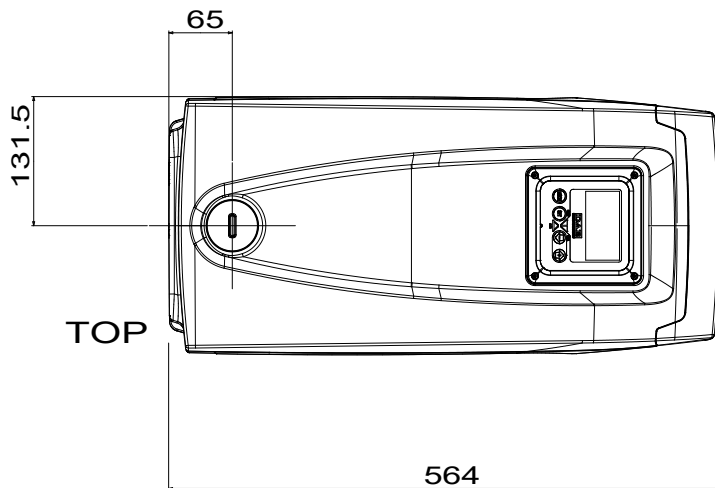
FRONT



RIGHT



BACK



TOP

Dimensions in mm						Pump connection
1						Suction
2						1" G
3						0,8 MPa
4						Discharge
5						1" G
6						0,8 MPa
7						
8						
9						
10						
11						
12						
MAIN_PROJECT_TITLE			BUSINESS_PROCESS_ID		OWNER_	ISSUE_DATE 2023-07-19