

Receiver

Company
Reference
Address
Phone
Fax
E-mail

From

Item no. 60212517H
Customer pos. no.:

Model:
GARDENJET 132 M IE2

Pump data

Impellere size:
Pressure rating : 0,8 MPa
Min. fluid temperature : 0 °C
Max. fluid temperature : 35 °C
Max. Temperature operating : 40 °C

Requested data

Flow :
Head :
Fluid : Water
Fluid Temperature : 20 °C
Density : 998,3 kg/m³
Kinematische viscositeit : 1,005 mm²/s
Dampspanning : 0,00 MPa

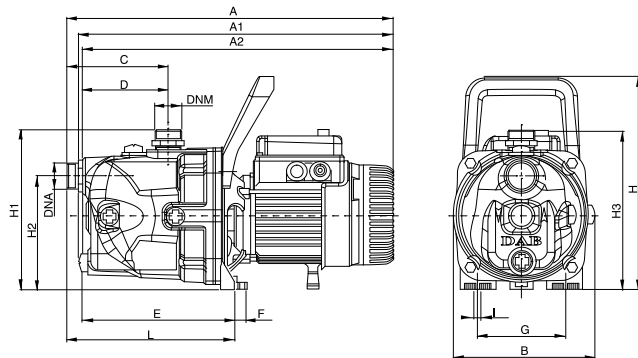
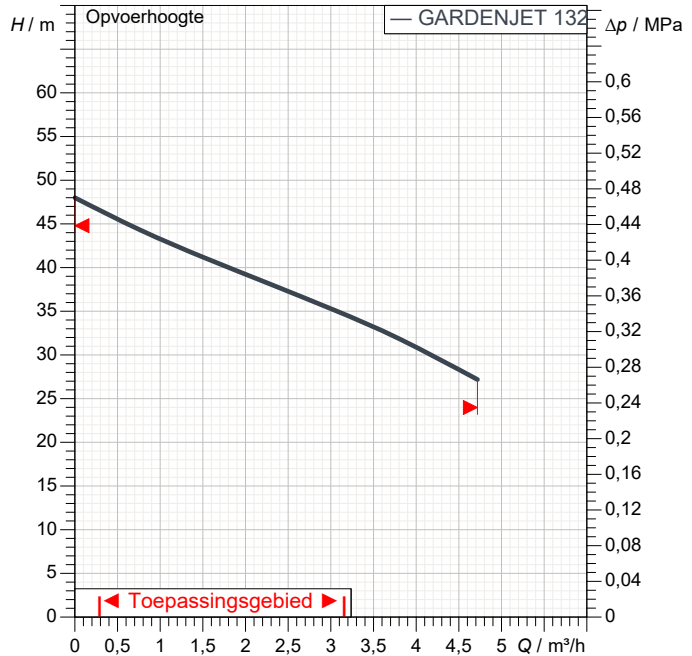
Hydraulic data (duty piont)

Flow :
Head :

Materials

Pump body Cast iron GJL 200 UNI EN 1561
Impeller Technopolymer A
Shaft with rotor AISI 416 X12 CrS 13 UNI 6900/71
O-Ring NBR
Support Die cast aluminium
Mechanical seal Carbon/Ceramic
Nozzle venturi diffuser assembly Technopolymer A

Curve tolerance according to ISO 9906



Gewicht: 14 kg

Motor data

Merk : DAB
Nominal power P2: 1 kW
Rated speed: 2.830 1/min
Rated voltage : 1~ 230 V 50 Hz
Nominal current : 6 A
Degree of protection : IP 44

Dimension mm

A	429	H2	144
A1	414	H3	209
A2	409	I	9
B	178	L	212
C	127		
D	108		
DNA	1" G		
DNM	1" G		
E	192		
F	14		
G	111		
H	268		
H1	200		

Pump connection

Suction side 1" G / 0,8 MPa
Discharge side 1" G / 0,8 MPa



PERFORMANCE CURVES

2023-08-24

Pagina 2 / 3

DAB PUMPS S.p.A.
Via Marco Polo, 14 - 35035 Mestrino (PD), Italy
Tel. +39 049 5125000 - Fax +39 049 5125950
www.dabpumps.com

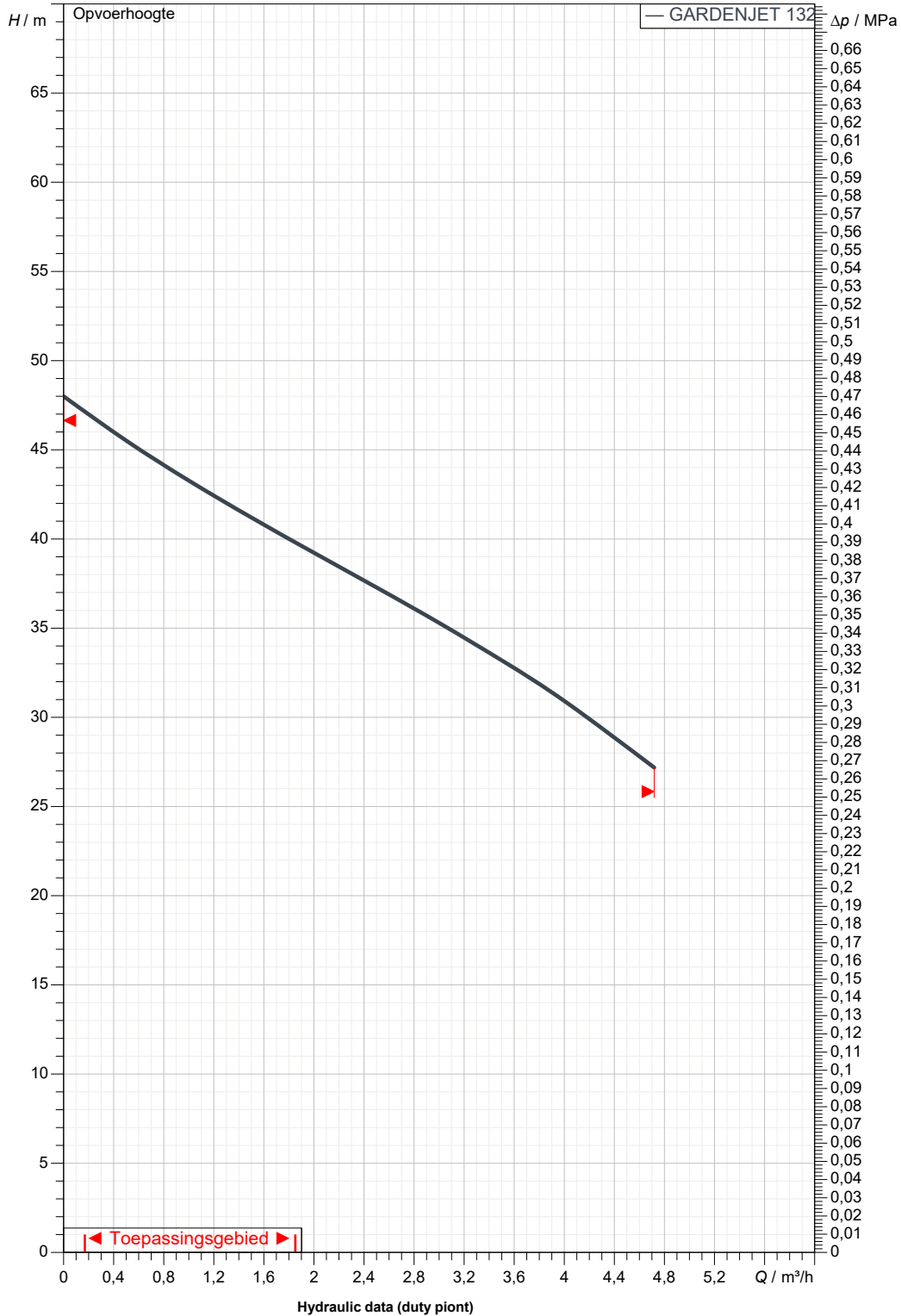
Receiver

From

Company
Reference
Address
Phone
Fax
E-mail

GARDENJET 132 M IE2

Curve tolerance according to ISO 9906



Suction side 1" G 0,8 MPa	Discharge side 1" G 0,8 MPa	Flow :	Head :	Rated speed: 2.830 1/min
MAIN_PROJECT_TITLE	BUSINESS_PROCESS_IT	OWNER_	ISSUE_DATE 2023-08-24	



DIMENSIONAL DRAWING

2023-08-24

Pagina 3 / 3

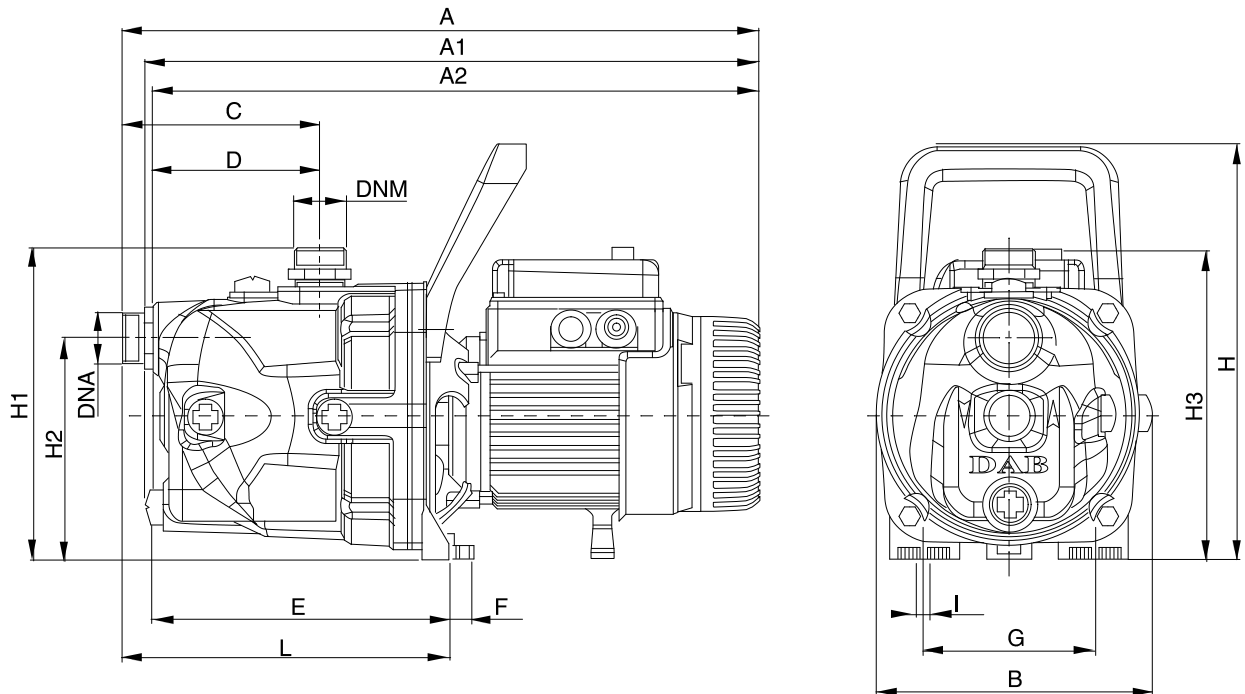
DAB PUMPS S.p.A.
Via Marco Polo, 14 - 35035 Mestrino (PD), Italy
Tel. +39 049 5125000 - Fax +39 049 5125950
www.dabpumps.com

Receiver

From

Company
Reference
Address
Phone
Fax
E-mail

GARDENJET 132 M IE2



Dimensions in mm						Pump connection	
1	A	429	H	268			
2	A1	414	H1	200			Suction
3	A2	409	H2	144			1" G
4	B	178	H3	209			0,8 MPa
5	C	127	I	9			
6	D	108	L	212			
7	DNA	1" G					Discharge
8	DNM	1" G					1" G
9	E	192					0,8 MPa
10	F	14					
11	G	111					
MAIN_PROJECT_TITLE			BUSINESS_PROCESS_ID		OWNER		ISSUE_DATE 2023-08-24