

Receiver

From

Company
Reference
Address
Phone
Fax
E-mail

Item no. 60122637
Customer pos. no.:

Model:
VERTY NOVA 400 M

Pump data

Free passage : 5 mm
Pressure rating :
Min. fluid temperature : 0 °C
Max. fluid temperature : 35 °C
Max. Temperature operating :

Requested data

Flow :
Head :
Fluid : Water
Fluid Temperature : 20 °C
Density : 998,3 kg/m³
Kinematische viscositeit: 1,005 mm²/s
Dampspanning: 0,00234 MPa

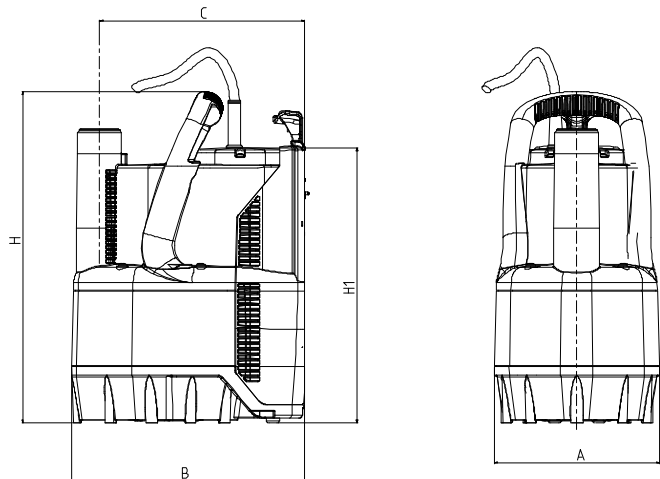
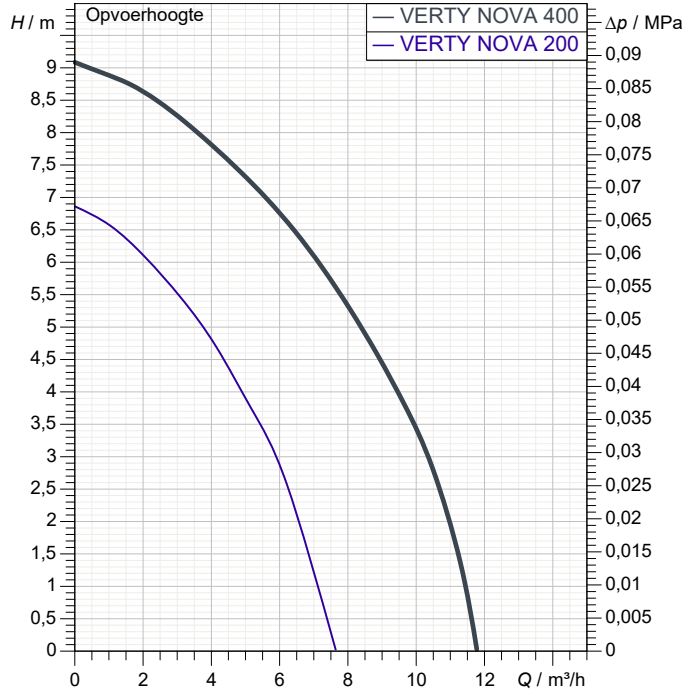
Hydraulic data (duty point)

Flow :
Head :

Materials

Pump body : Technopolymer
Impeller : Noryl
Motor casing : Stainless Steel AISI 304
Motor shaft : AISI 416 X12 CrS 13 UNI EN 10088-1
Float : Technopolymer
O-Ring : NBR 70
Filter : Technopolymer

Curve tolerance according to ISO 9906



Motor data

Gewicht: 5,1 kg

Merk : DAB
Nominal power P2: 0,4 kW
Rated speed: 2.800 1/min
Rated voltage : 1~ 220-240 V 50 Hz
Nominal current : 2,6 A
Degree of protection : IP X8

Dimension mm

A	158				
B	225				
C	200				
D	33				
H	354				
H1	301				

Pump connection

Suction side : /
Discharge side : 1" 1/4 GAS / --



PERFORMANCE CURVES

2023-08-03

Pagina 2 / 3

DAB PUMPS S.p.A.
Via Marco Polo, 14 - 35035 Mestrino (PD), Italy
Tel. +39 049 5125000 - Fax +39 049 5125950
www.dabpumps.com

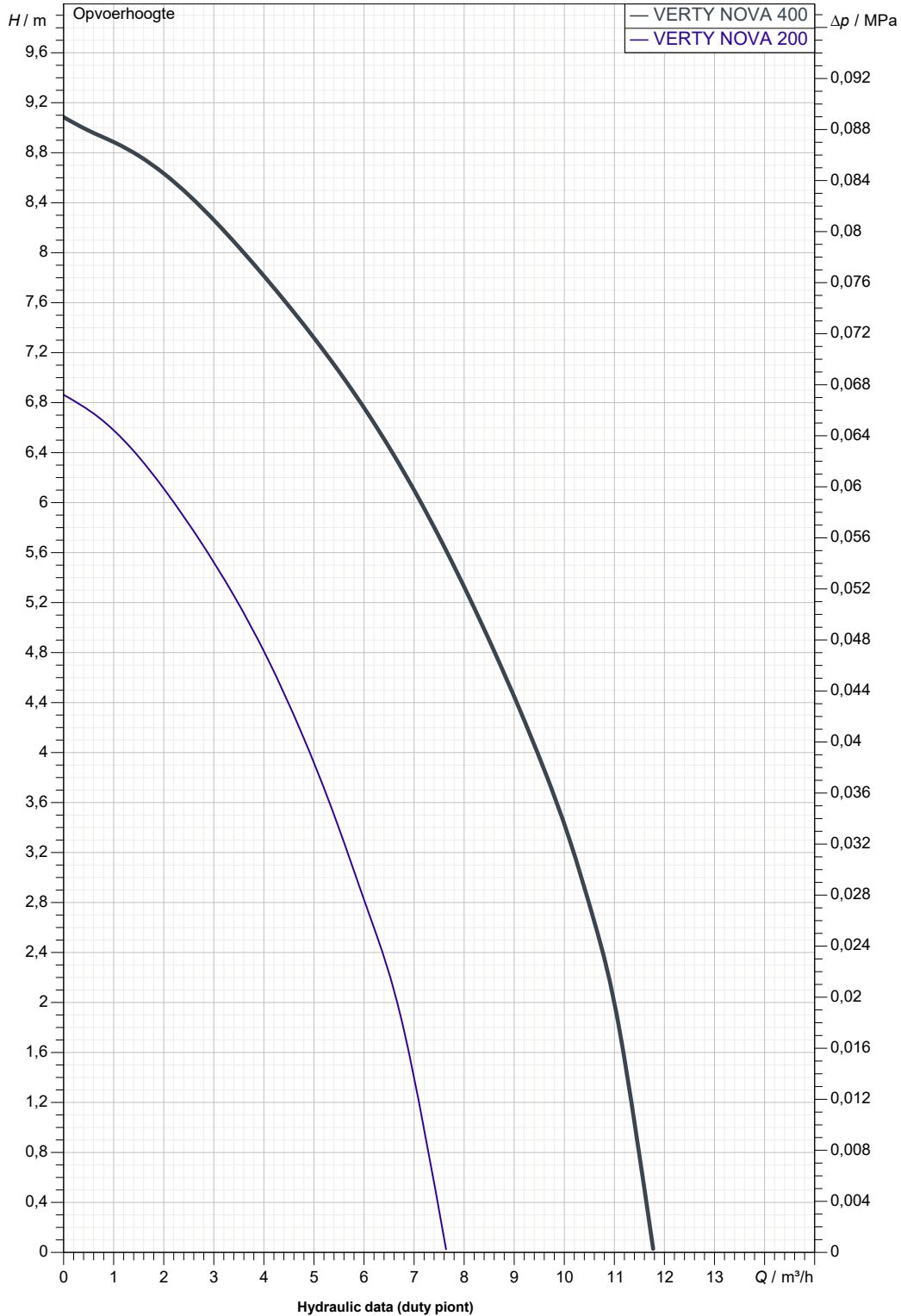
Receiver

From

Company
Reference
Address
Phone
Fax
E-mail

VERTY NOVA 400 M

Curve tolerance according to ISO 9906



Suction side

Discharge side
1" 1/4 GAS
--

Flow :

Head :

Rated speed:
2.800 1/min

MAIN_PROJECT_TITLE

BUSINESS_PROCESS_ID

OWNER_

ISSUE_DATE
2023-08-03



DIMENSIONAL DRAWING

DAB PUMPS S.p.A.
Via Marco Polo, 14 - 35035 Mestrino (PD), Italy
Tel. +39 049 5125000 - Fax +39 049 5125950
www.dabpumps.com

2023-08-03

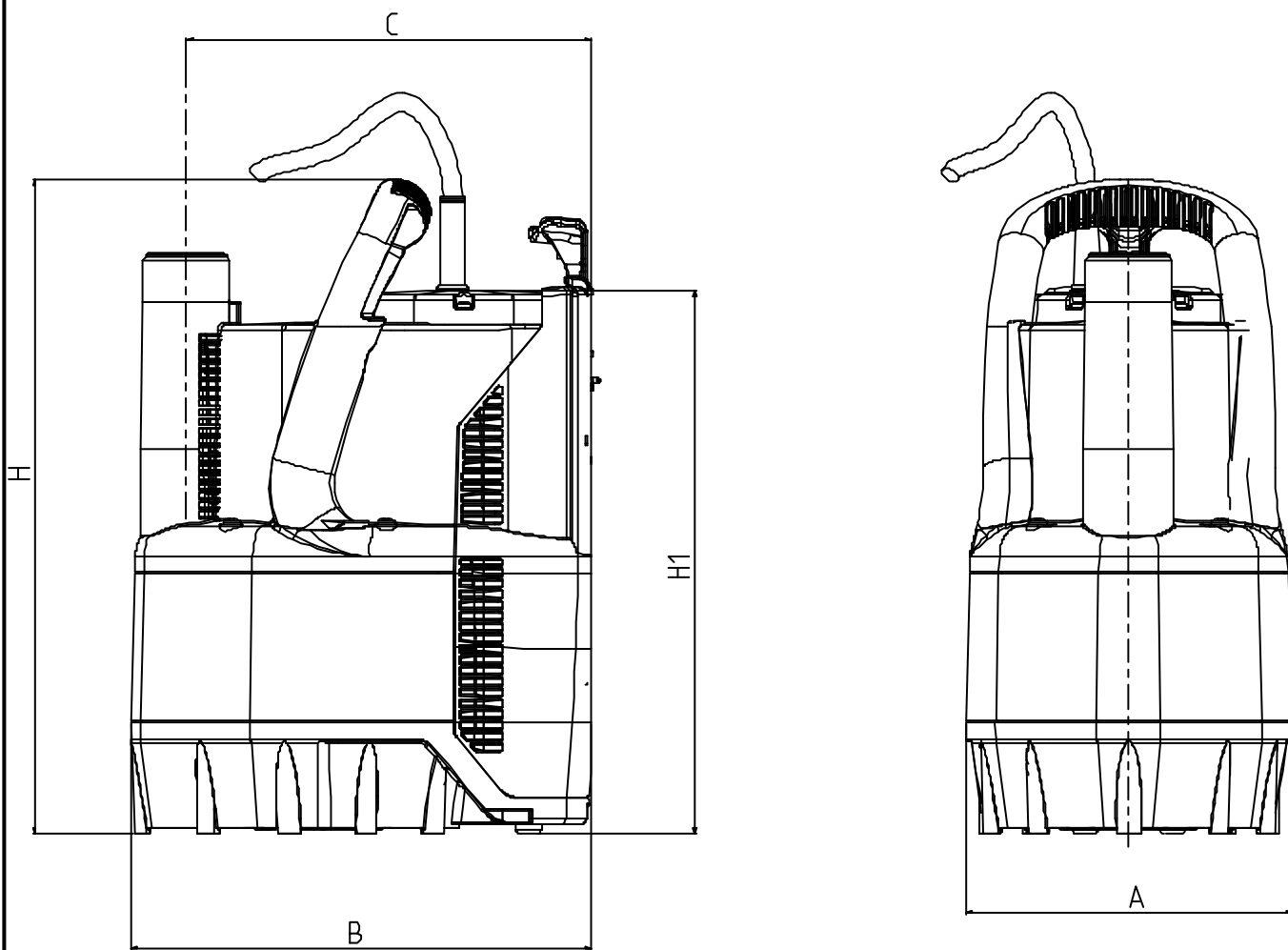
Pagina 3 / 3

Receiver

From

Company
Reference
Address
Phone
Fax
E-mail

VERTY NOVA 400 M



Dimensions in mm			Pump connection			
1	A	158				Suction
2	B	225				
3	C	200				
4	D	33				
5	H	354				
6	H1	301				
7						Discharge 1" 1/4 GAS --
8						
9						
10						
11						

MAIN_PROJECT_TITLE	BUSINESS_PROCESS_ID	OWNER_	ISSUE_DATE 2023-08-03
--------------------	---------------------	--------	--------------------------